

# DTT-28/36 DYNAMIC TUMBLE DRYERS



## TOUCH II

User friendly and totally programmable 4'3" Touch II (option 7" screen)  
 USB Connection. PC software free of charge for programming, traceability, data analysis...  
 Videos on display (ads, instructions, etc.)  
 37 languages



## OUTSTANDING FEATURES

Reversing drum action as standard  
 Stainless steel drum as standard  
 Frequency inverter as standard



## EFFICIENCY

DOUBLE FLOW - mixed axial-radial airflow  
 Big fluff filter



## VERSATILITY

Make to order - customisation  
 WET CLEANING  
 OPL > Multivending - Standard OPL model easily trasformable to coin laundry uses



## CONNECTIVITY

Remote technical service  
 Management of laundries: OPL and COIN  
 Remote payment



## ERGONOMICS

Drawer as fluff filter, made of stainless steel  
 Biggest door diameters  
 Opening sense of door adjustable on site



## MAINTENANCE

Hinged panel: easy and ergonomic access  
 Technical menu: statistics, alarm, autotest, data recovery for technicians and maintenance



## OTHERS

Grey skinplate outer casing, stainless steel look  
 SOFT DRY - new drum with stamped holes  
 COOL DOWN - anti-wrinkle at the end of the cycle  
 Heating options: electric, gas and steam  
 CE approved

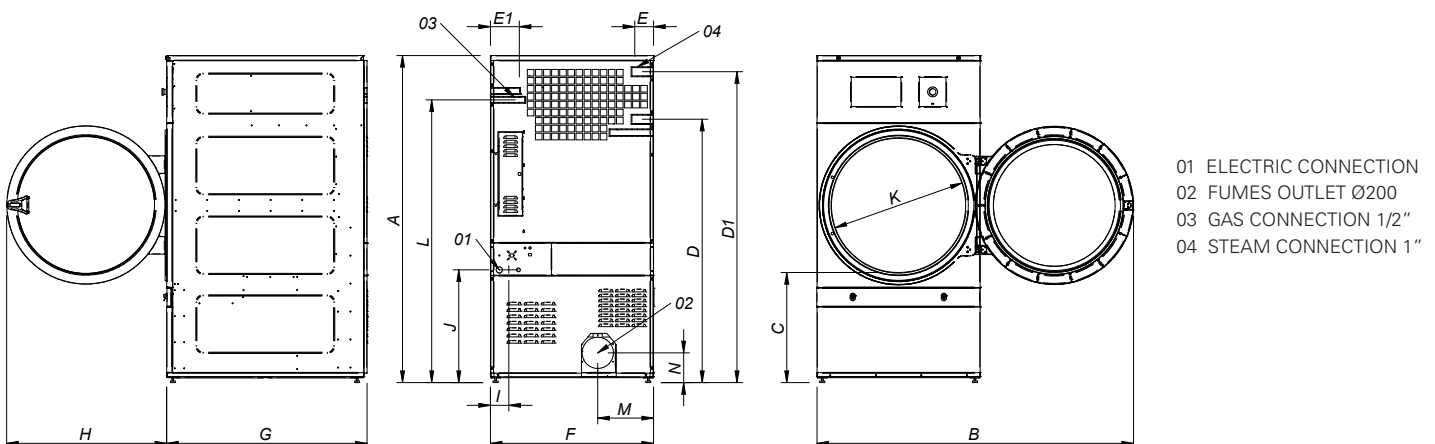


## OPTIONS

- EFFICIENT DRY - Intelligent humidity control with new drum inlet temperature control
- Option 7" touch screen
- Double doorglass
- Reverse door opening
- SFEX - Integrated Fire Extinguishing System
- New dosing/vaporizing system
- Printer
- DomusConnect communication kit
- Tropicalized model
- Stainless steel AISI 304 outer casing
- Stainless steel AISI 304 front panel
- Stainless steam battery
- Low pressure steam battery
- Wooden packing
- Exhaust silencer Ø200
- Rear panel external air + filter
- Ship voltage for electric models: 440V III 50/60 Hz No neutral

TECHNICAL DATA	UNIT.	DTT-28 DYNAMIC	DTT-36 DYNAMIC		
<b>CAPACITY</b>					
Capacity 1/18	Kg	31	37		
Capacity 1/20	Kg	27	33		
Hourly Output DYNAMIC*	Kg/h	59,3	63,9		
Evaporation capacity DYNAMIC*	l/h	30,9	32,1		
<b>DRUM</b>					
Ø Drum	mm	947	947		
Ø Door	mm	802	802		
Door center height	mm	1.040	1.040		
Load hole bottom height	mm	640	640		
Drum length	mm	780	936		
Drum volume	l	550	660		
<b>POWER</b>					
Drum motor power	Kw	0,55	0,55		
Fan motor power DYNAMIC	Kw	0,55	0,55		
Electric heating power ALL RANGES	Kw	30	36		
Total electric power (elec.model) DYNAMIC	Kw	31,15	37,15		
Gas heating power ALL RANGES	Kw	41	41		
Total electric power (gas model) DYNAMIC	Kw	1,15	1,15		
Steam heating power ALL RANGES	Kw	50,1	50,1		
Steam heating power (gas model) DYNAMIC	Kw	1,15	1,15		
<b>CONNECTIONS</b>		<b>ELECTRICAL</b>	<b>STEAM / GAS</b>	<b>ELECTRICAL</b>	<b>STEAM / GAS</b>
Tension 230V - I + N + T	N° x mm2 / A	-	3 x 1,5 / 20A	-	3 x 1,5 / 20A
Tension 230V - III + T	N° x mm2 / A	4 x 35 / 100A	3 x 1,5 / 20A	4 x 50 / 125A	3 x 1,5 / 20A
Tension 400V - III + N + T	N° x mm2 / A	5 x 16 / 63A	3 x 1,5 / 20A	5 x 16 / 63A	3 x 1,5 / 20A
Ø Gas inlet	BSP	1/2"		1/2"	
Ø Steam inlet	BSP	1"		1"	
Ø Condensed (Steam models)	BSP	1"		1"	
<b>DIMENSIONS / PACKING DIMENSIONS</b>					
Net Width / Gross Width	mm	985/1.065		985/1.065	
Net Depth / Gross Depth	mm	1.054/1.154		1.210/1.310	
Net Height / Gross Height	mm	1.946/2.080		1.946/2.080	
Height without heating battery	mm	-		-	
Net weight / Gross weight	Kg	230/260		260/285	
<b>OTHERS</b>					
Max airflow DYNAMIC	m3/h	1.200		1.200	
Ø Fume exhaust	mm	200		200	
Sound level DYNAMIC	dB	65		65	

\* It may vary depending on the type of heating, filter cleanliness or extraction type.



- 01 ELECTRIC CONNECTION
- 02 FUMES OUTLET Ø200
- 03 GAS CONNECTION 1/2"
- 04 STEAM CONNECTION 1"

	A	B	C	D	D1	E	E1	F	G	H	I	J	K	L	M	N
DTT-28	1946	1910	640	1590	1875	113	174	985	1054	957	110	680	802	1707	337	178
DTT-36	1946	1910	640	1590	1875	113	174	985	1210	957	110	680	802	1707	337	178